

Specification: **Inertial Actuator IFX20-100**

Rated Force:

28 N peak at 50 Hz, with coil at 20°C, due to displacement limit. (mounted on a 20 lb block)
30 N peak at 13 Watt at 50 Hz, with coil at 140°C.
23 Newtons per Ampere at 30 Hz; 8.1 Newtons per Ampere above 100 Hz, with coils at 140°C.
The force constant is independent of the direction and amount of current.

Electrical:

Coil resistance: 2.2 Ohm
Inductance: .8 mH

Temperature:

Drop in force constant for 100°C rise: 20%
Increase in resistance for 100°C rise: 39%
Internal temperature rise at 10 Watt input: 120°C (mounted on 100 square X 2 cm thick aluminum)

Static Armature Stiffness:

Internal spring constant: 4.6 Newtons per mm
Resonance frequency of armature 27 Hz (Unit mounted on a 20 lb block)

Mechanical:

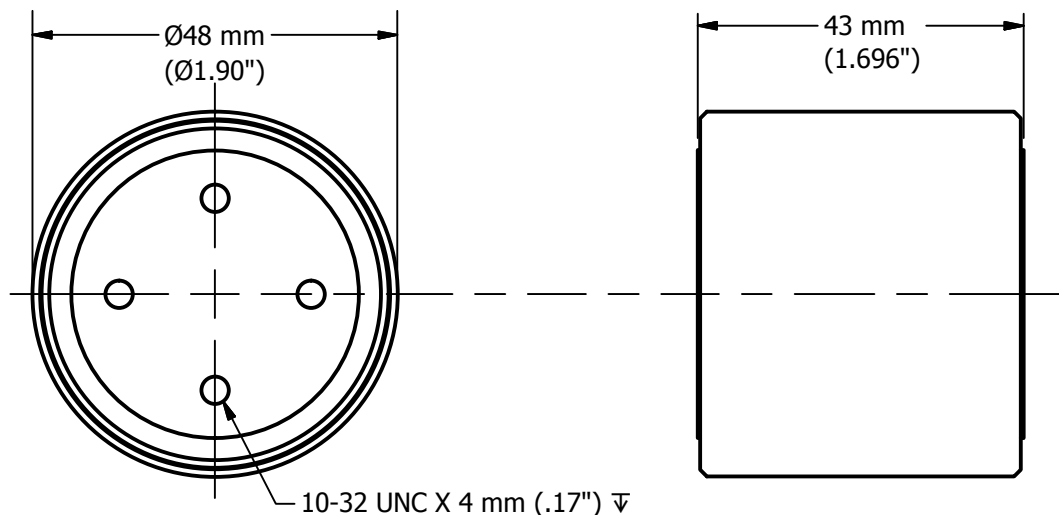
Max armature displacement: ± 1.5 mm (internal hard stops)
Total weight: .41 Kg. Armature weight: .185 Kg
Dimensions: 48 mm diameter. 44 mm long
Mounting: Four 10-24 screws
Housing completely sealed, no external moving parts.

Fatigue Life:

Infinite fatigue life

Stray Magnetic Field:

Mounting surface: .04 Tesla max



IFX 20-100

